

ETITEC V T12 280/12,5 1+0



Specifications

ETI Code	002442900
Description	ETITEC V T12 280/12,5 1+0
Class name	Surge arrester
Function	SPD
Type	T1, T2
Iimp(10/350) Impulse Current (kA)	12,5
Max. Discharge current I _{max} , 8/20 (kA)	50
U _c Continuous Operating Voltage (V)	280
Remote signalisation	NO
Network system	TN
Catalogue Group	ETITEC V
I _n 8/20 (kA)	20
Number of modules	1
Up - Voltage Protection Level (kV)	<1,5
Leakage Current	YES
Applied Technology	MOV
Built-in depth (mm)	68

[Online product page](#)

Other documentation



[Technical data catalogue](#)

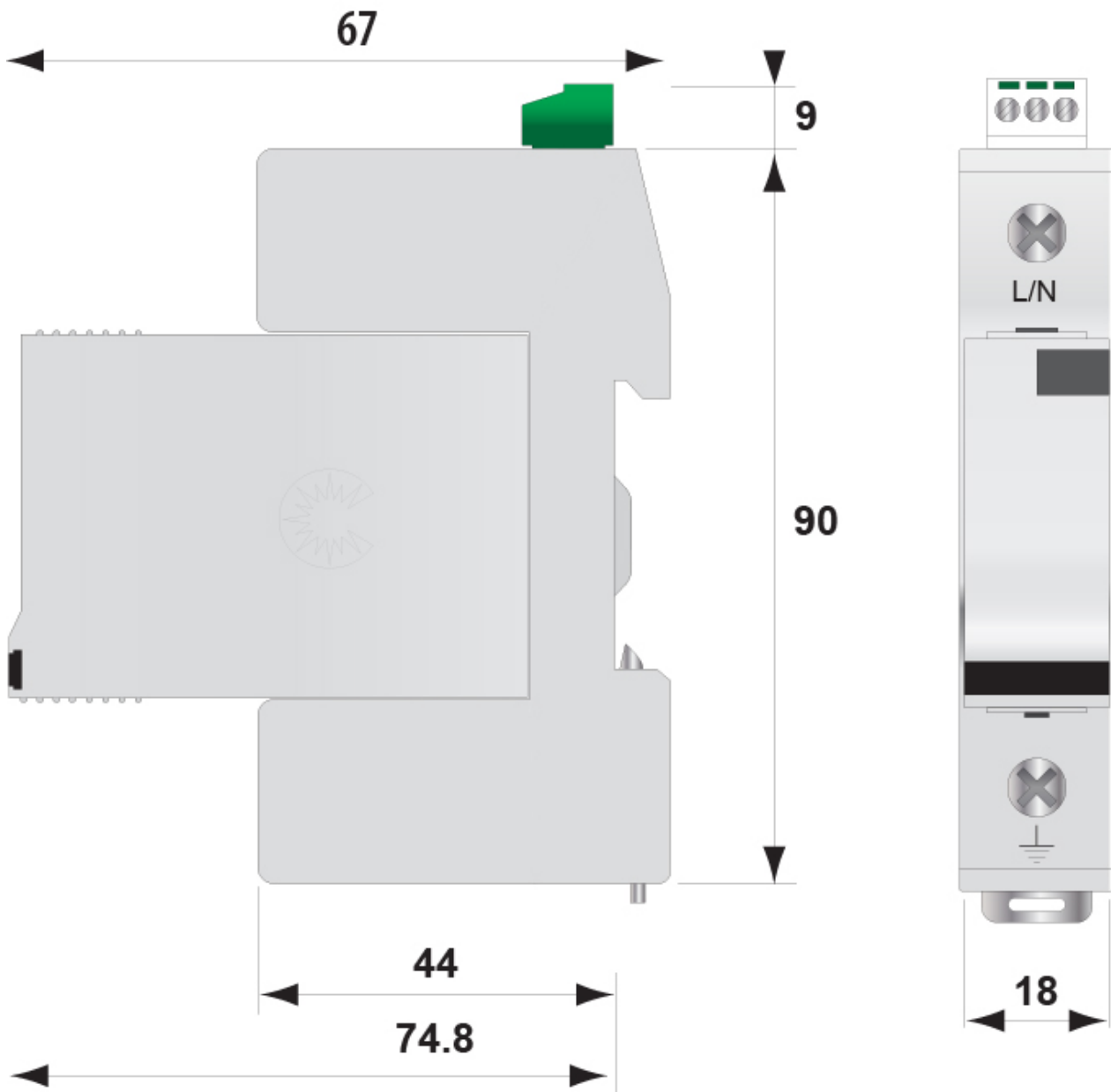
[3D Model](#)

[Instruction manual](#)

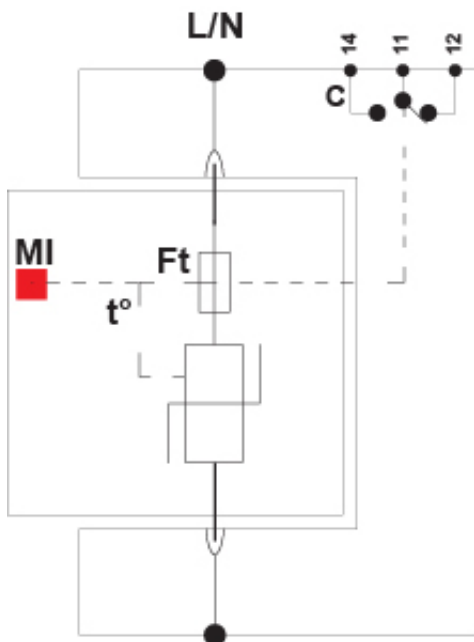
[CE declaration](#)

[Eplan file](#)

Dimension drawing



Symbol/Connection



V: High energy MOV

Mi: Disconnection indicator

Ft: Thermal fuse

t°: Thermal disconnection mechanism

C: contact for remote signal