

## About the product

The Loxone Wallbox is a charging station which enables dynamic charging from 1.38kW to 11kW for electric vehicles. With the robust Air interface, the device is integrated into the Loxone system and provides all the freedom for energy management. To record the electrical energy, an energy meter can be easily mounted on the integrated DIN-rail and connected to the Modbus interface in the device. Optionally, products like the NFC Code Touch, Touch Pure Flex,... can be mounted directly on the device to set your charging mode or execute any other control.

## Ambient conditions

<b>Ambient temperature</b>	-20...50°C / -4...122°F
<b>Ambient humidity</b>	max. 95% r.H. (non condensing)
<b>Degree of Protection</b>	IP44 (IEC 60529) IK08 (IEC 62262)
<b>Installation</b>	Stationary, surface mount, vertical on wall or charging post
<b>Recommended mounting height</b>	Cable outlet: 132cm / 52" Top edge: 165cm / 65"
<b>Altitude</b>	max. 2000m

## Electrical Data

Supply and Power	AC Input (mains)	24V DC Output
<b>Rated voltage</b>	3x 230/400V or 1x 230V, 50-60Hz	24V DC
<b>Rated current</b>	3x 16A or 1x 16A	max. 100mA
<b>Power consumption</b>	Standby: 0.6W, charging: 4W	-

## Charging

<b>Max. charging power</b>	11kW (3 phase 16A) / 3.7kW (1 phase 16A) configurable from 1.38kW to 3.7/11kW
<b>Charging Mode</b>	Mode 3 (IEC 61851-1)
<b>Residual current detection</b>	Internal, RDC-MD, DC 6mA, (IEC 62955)
<b>Charging cable with plug</b>	Type 2 plug (IEC 62196) 5 meter cable, 5x2.5mm <sup>2</sup> + 1x0.5mm <sup>2</sup>

## Interfaces

<b>Loxone Air</b>	connection with Miniserver / Air Base Extension 868MHz (SRD Band Europe), 4 channels, max. 15.1mW e.r.p. 915MHz (ISM Band Region 2), 10 channels, max. 13.2mW Internal antenna
<b>Modbus RTU for connecting Energy meters</b>	max. 1 device, max. 0,5m wire length, adjustable baud rate & parity data types: 16 & 32 bit, min. polling cycle: 5s
<b>Loxone Tree</b>	Prepared for connecting Tree devices, available via firmware update in 2024

Installation must be carried out by a qualified electrician in accordance with the relevant regulations.



For more information  
about this product, visit  
[loxone.com/help/wallbox-air](https://loxone.com/help/wallbox-air)

**Loxone  
Electronics GmbH**  
Smart Home 1  
4154 Kollerschlag  
Austria

**Loxone UK**  
The Forum  
Station Road  
Theale, RG7 4RA  
United Kingdom



For additional information,  
declaration of conformity, visit  
[www.loxone.com/datasheets](https://www.loxone.com/datasheets)

V120523

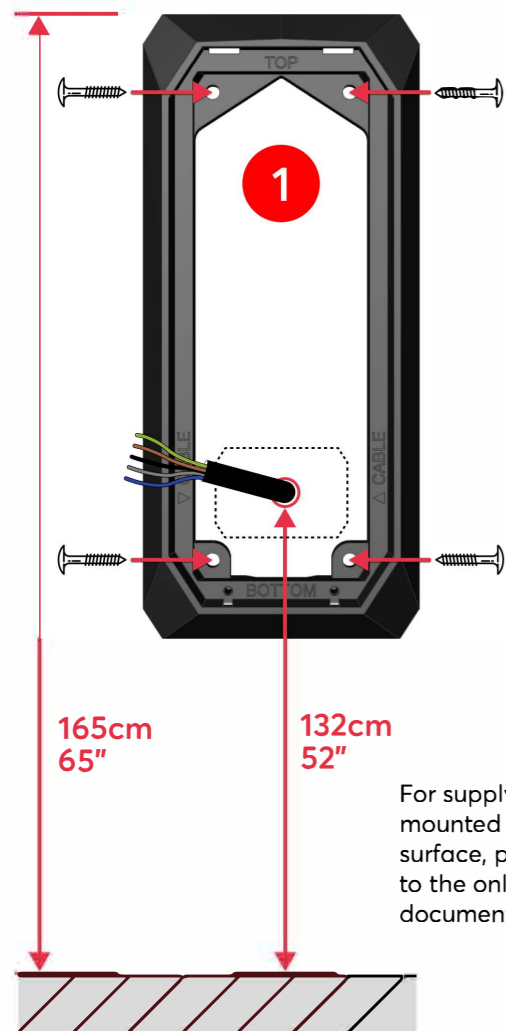
Need Help?  
[loxone.com/support](https://loxone.com/support)



# Wallbox 11kW 16A Air

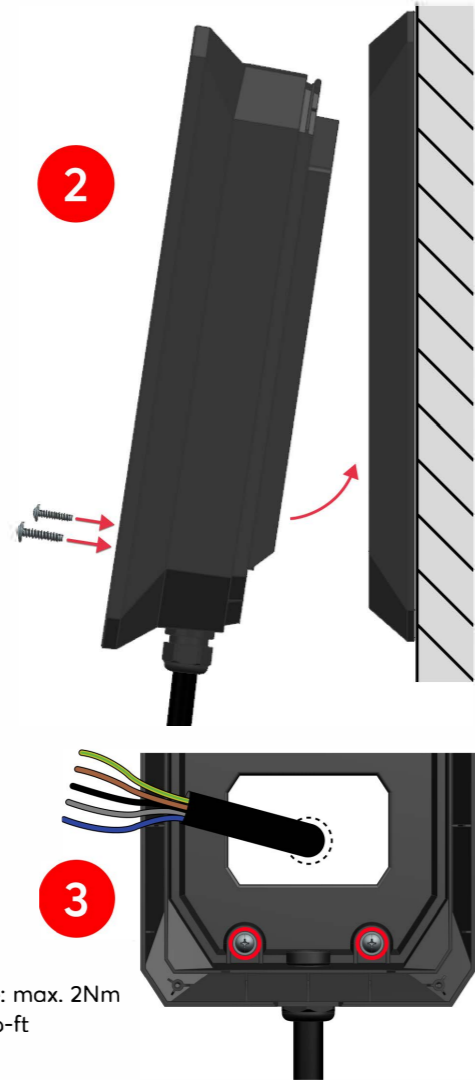
Part No.: 100527

LOXONE



For supply cables mounted on the surface, please refer to the online documentation.

Torque: max. 2Nm / 1.48lb-ft



\*use L1 for single phase connection

