

SOPHIA

SOLAR SMART FESTOONS

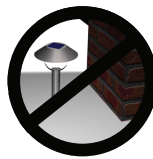
USER GUIDE



Ensure your solar panel is South facing or as near as possible



Clean your solar panel from time to time



Do NOT place your solar panel in shaded areas.



Do NOT charge behind glass

Thank you for choosing the Sophia Solar Smart Festoons. Please read these instructions carefully before using your light.

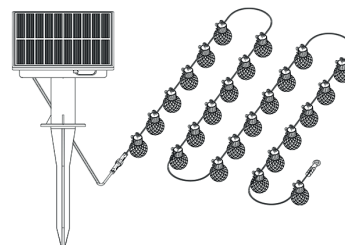
Important notes

Always take care when installing your lights. If you are at all unsure, please contact your retailer or a professional trades person for advice.

Installation

Remove all packaging and put to one side. Please carefully consider where you wish to install your light before making alterations to your property. It's particularly important that the solar panel receives as much sunlight as possible. Ensure that it is not obstructed by buildings, fences, trees, sheds, etc. or the shadows that these create. **If the solar panel is installed in a poor location, it may not perform to the best of its ability.**

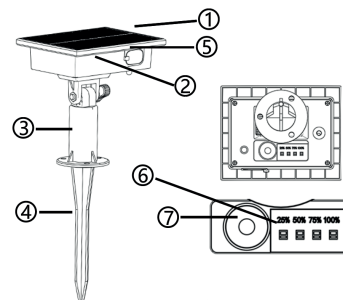
To maximise the battery capacity, the lights should be charged in direct sunlight for at least 12-24 hours before being used for the first time.



The lights will turn ON/OFF automatically when left in the on position. Please note it is completely normal for the lights to come on at different times as it depends on how fast they charge in their location.

Assembly

1. Solar panel
2. Control box
3. Brace
4. Ground spike
5. USB port
6. Indicators
7. On/OFF switch



Set up your remote control

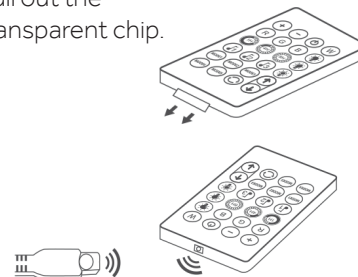
Please pull out the transparent chip from the bottom of the remote control to ensure that the battery is powered properly.

Make sure the remote control aims at the IR receiver within the sensing distance. The angle of the IR receiver is 120 and the sensing distance is 5 meters. Please use your remote control within the sensing range.

Quickly press the switch button twice to control the infrared switch.

[You may find this interferes with your TV remote, in which case you can choose not to use it, or move further away.]

Pull out the transparent chip.

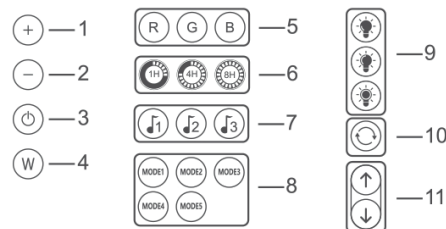


How to use the remote control

1. LED brightness adjustment button [+] Increase sensitivity in music mode
2. LED brightness adjustment button [-] Reduce sensitivity in music mode.
3. ON/OFF button.
4. LED white button [switch between warm white and white colours].
5. LED colour button [switch between red, green and blue].



6. Timing function for on/off lights [choose between 1 HR, 4 HRS, 8 HRS].
7. 3 music modes.
8. 5 fixed colour rich modes.
9. Brightness button [choose between 25%, 50%, 100% from top to bottom]
10. Press once to cycle between 20 different fixed colour-rich mode, rotates every 30 seconds.
11. In the static monochrome mode, use these buttons to change forward to back in a sequence to find the colour or scene you would like.



Setting up the Smart App

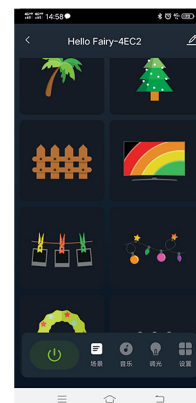
Go to the IOS App Store, or Google Play and download 'Hello Fairy' app, you can also scan the QR code for IOS or Android

Connect a mobile phone

1. Ensure your mobile phone's Bluetooth is switched on.
2. Open the Hello Fairy app and search for the device 'Hello Fairy-xxxx'
3. After the device name is displayed on the interface, you can click on 'Hello Fairy-xxxx' to enter the main interface and start the operation.



Select the product model for pairing



Homepage

FCC Statement

This device complies with part 15 of the FCC Rules. Operation is subject to the following two conditions:

- [1] This device may not cause harmful interference, and
- [2] this device must accept any interference received, including interference that may cause undesired operation.

RF Exposure Information

The device has been evaluated to meet general RF exposure requirements.. This device can be used in portable exposure conditions without restriction.

Troubleshooting

Please ensure that there are no nearby light sources shining on the solar panel after dark. These could be bright indoor/outdoor lights from your property or neighbours, or streetlights.

If you are unsure, take the light inside and test it in a dark room.

If you are encountering any problems with your Sophia Solar Smart Festoons often you can resolve this yourself by following our troubleshooting guide. If the light has its solar panel in a poor location it will struggle to work, but that doesn't mean there is a fault with the unit. Please remember that the light will arrive with some charge and will likely work for a few days even if the solar panel is poorly located. Please try the troubleshooting tips below before contacting your retailer.

Recharge Procedure

1. Double check the location of your solar panel to ensure it is in a clear location and as South facing as possible.
2. Turn the light off at the switch and leave it to recharge for 3-5 days ensuring one sunny day has passed.
3. After 3-5 days return to the light and turn it back on at the switch.
4. If your light still does not illuminate after dark, please contact your retailer.

Maintenance

Clean the surface of the solar panel and light lens with a soft, slightly moistened cloth. Do not use corrosive cleansing agents or chemical solutions as these may damage surfaces and impair operation. Keep the solar panel free of dirt, debris and snow.

Safety Instructions

The Solar Centre assumes no liability for any damage resulting from the use of this product, nor do we assume liability for any damage to property or personal injury caused by improper use or failure to observe these instructions.

Unauthorised conversion and/or modification of the unit may be dangerous and will invalidate your warranty. To avoid damage to sight, do not look directly at the light source. This device is not a toy and should be kept out of reach of children. Do not submerge the device in water or expose it to extreme temperatures (less than -25°C or higher than 50°C).

For customer support please contact:

The Solar Centre Ltd
44-46 Coldharbour Lane
Harpenden
Hertfordshire
AL5 4UN

T: 01727 743200
W: solarcentre.co.uk
E: info@solarcentre.co.uk

