

Technical Sheet

1-Function hand shower „Eco Air“ Art. 60.06S

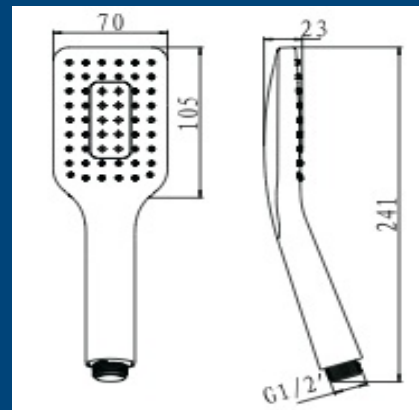


Product overview

Weight: 115 g
Product no.: 60.06S

Product characteristics

exclusive slim line design
aerated spray (air power)



Saving Information



Consumption +/- 8 l/min

Saving rate is approx. 50%