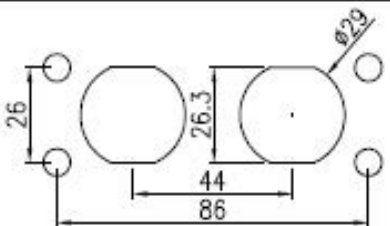
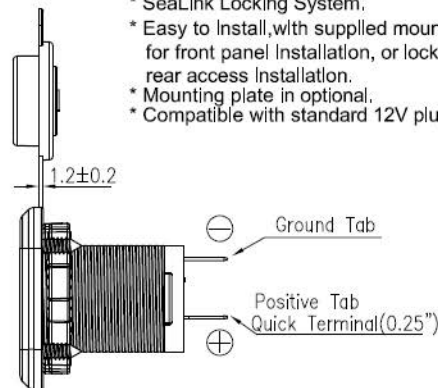
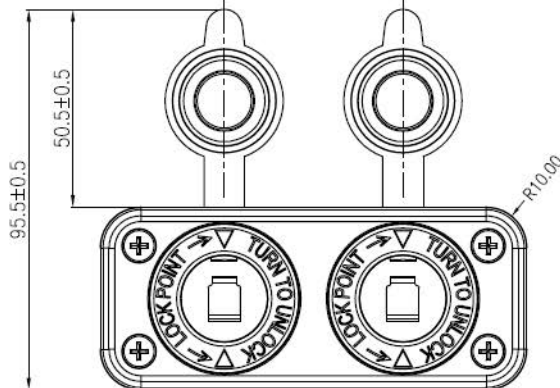
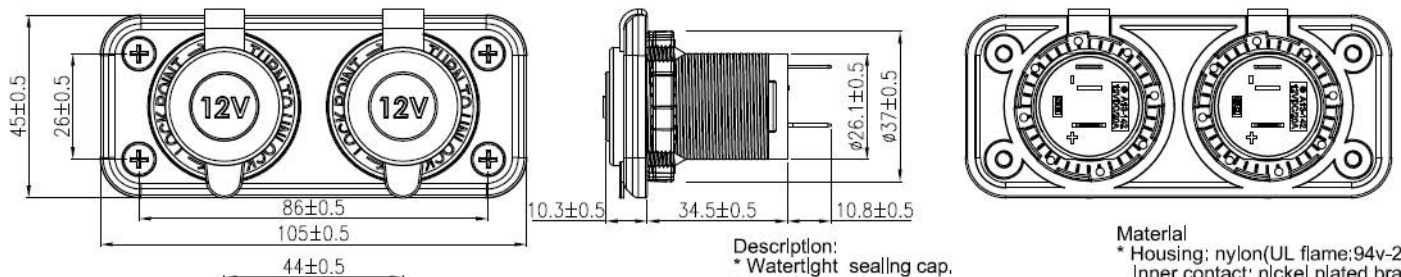
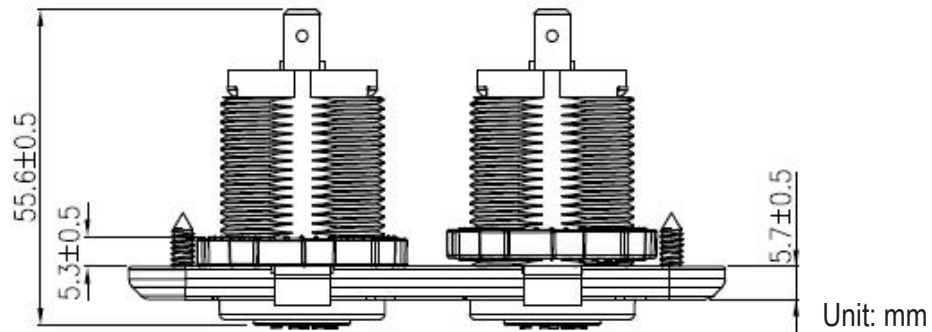


## Outlet socket with protective cap

Rating	12 V/DC 20 A max	
Contact Resistance	50m ohm Max	
Insulation Resistance	DC 500V 100M ohm Min	
Dielectric Strength	AC 1500V 1 minute	
Operation Temperature	-20C-85C	



**Description:**

- \* Watertight sealing cap.
- \* SeaLink Locking System.
- \* Easy to install, with supplied mounting plate for front panel installation, or locking ring for rear access installation.
- \* Mounting plate in optional.
- \* Compatible with standard 12V plugs.

**Material**

- \* Housing: nylon (UL flame: 94v-2).
- \* Inner contact: nickel plated brass.
- \* Contact: nickel plated brass.