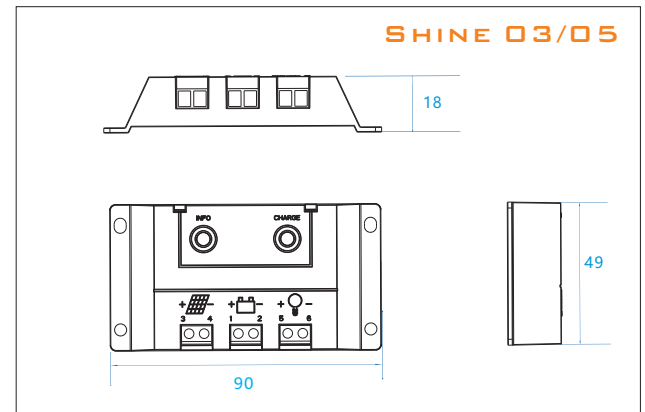
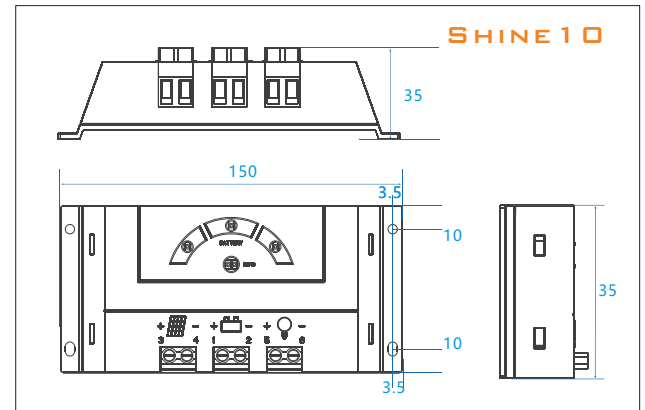
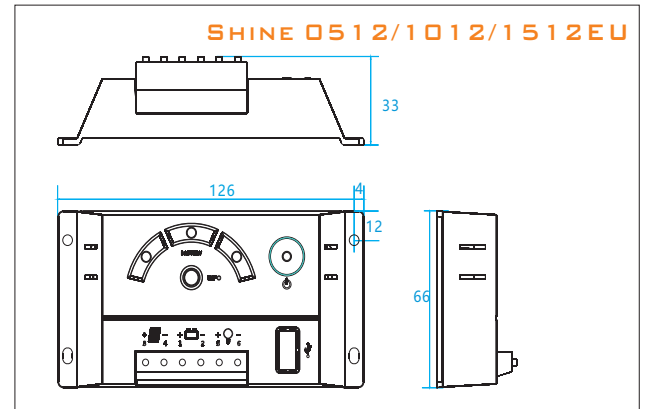


Shine series

Solar charge controller

3/5/10/15A



- Low cost and high reliability design, suitable for 12V or 24V system voltage
- Load output can be controlled by switch (EU series products)
- Work mode optional: system, D2D (EU series products)
- Clear readable display of charge/discharge and error description
- Temperature compensation
- Gel, Liquid battery for selection
- Four stage charge way: fast,boost,equalization,float
- Full automatic electronic protect function
- USB interface(U series products)

Shine series

Solar charge controller

3/5/10/15A

Datasheet

	Shine03/05	Shine0512EU/1012EU/1512EU	Shine10
Max solar current or load current	3/5	5/10/15	10
System voltage	12V	12V	12/24V auto
Fast voltage	<14.5V(25°C)	<14.5V(25°C)	<14.5/29.0V(25°C)
Boost voltage	14.5V(25°C)	14.5V(25°C)	14.5/29.0V(25°C)
Equal voltage	14.8V(25°C)	14.8V(25°C)	14.8/29.6V(25°C)
Float voltage	13.7V(25°C)	13.7V(25°C)	13.7/27.4V(25°C)
Day/Night threshold	5.0V	5.0V	5.0/10.0V
Battery type	Liquid	Liquid , Gel	Liquid , Gel
Temperature compensation	-4.17mV/K per cell (Boost, Equal) , -3.33mV/K per cell (Float)		
Load disconnect voltage	11.0V	11.0V	11.0/22.0V
Load reconnect voltage	12.5V	12.5V	12.5/25.0V
Max solar voltage	25V	25V	55V
Max battery voltage	20V	20V	40V
Over voltage protection	15.5V	15.5V	15.5/31.0V
Dimensions/Weight	90*49*18mm /36g	126*66*33mm /110g	150*72*35mm /130g
Own consumption	5mA	5mA	10mA
Ambient temperature	-35~+60°C	-35~+60°C	-35~+60°C
Degree of protection	IP22	IP22	IP22
USB interface	---	5V, 1A	---