

Technical specification

GF-SUN-1000G2(H) / GF-SUN-2000G2



Description

GWL GridFree Power Inverter with Limiter (SUN series Inverters) can obtain the solar energy from solar panel, and can tie to the grid through its output cables with no extra equipment. The installation is very convenient and reliable.

The system includes solar panels, SUN series inverters and installation kit. Solar panels can be monocrystalline, polycrystalline, non-crystal film or any other material that can transform solar energy to electric energy. The power of GridFree inverter should be matched to the power of solar panels connected. So, the power of whole system is defined by its solar panels, it can be standardization according to the actual using.

The inverter can be connected to any outlets of utility grid at house. The GridFree inverter monitors the volume, frequency and phase of the home utility grid, then produce pure sine wave AC power that the frequency and phase are as same as the grid's, and the volume is a bit higher than the grid's, then according to the current controlled PWM, to control the output power to the grid. The GridFree inverter just puts out power when the home grid is on. When the sun shines, the PV panel will produce DC voltage, and the GridFree inverter will change the DC voltage to AC voltage and puts out power to the home grid. When the total power of electric apparatus that are using in the house is larger than the output power of the inverters, this power from the inverters will be consumed in the house, this will slow down the power meter.

Certifications

LVD, EMC, RoHS, CE, EN 50438:2013

Features

- ✔ Easy to install
- ✔ GridFree solution
- ✔ Single phase power supply
- ✔ MPP tracking
- ✔ Wide DC input voltage range (works properly event with batteries)
- ✔ Power output limitation (using internal or external limiter)

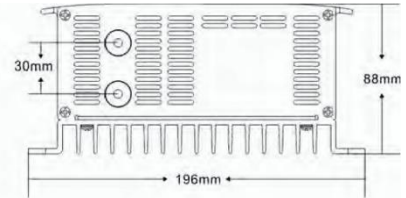
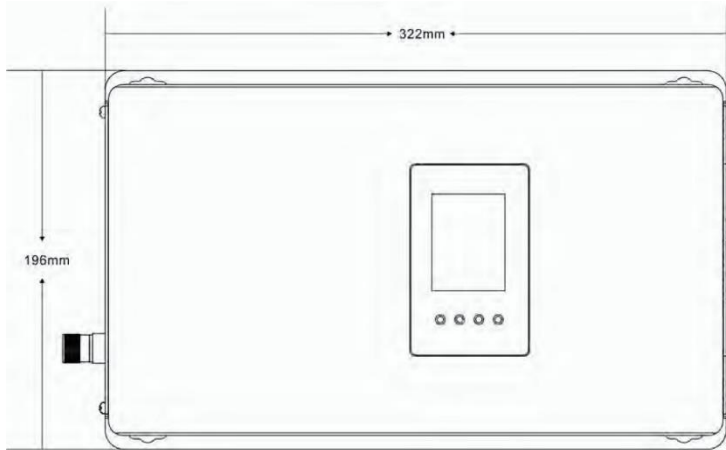
Technical specification

INPUT DATA (DC)	GF-SUN-1000G2	GF-SUN-1000G2H / GF-SUN-2000G2
Peak power Tracking Voltage	25 V - 60 V	50 V - 90 V
Operating DC Voltage Range	22 V - 65 V	45 V - 90 V
Peak Inverter Efficiency	25 V - 60 V	50 V - 90 V
OUTPUT DATA (AC)	GF-SUN-XXXXG2X	
Nominal Voltage/Range	230 V / 185 V-265 V	
Frequency Range	50 Hz / 47.5-51.5 Hz	
Power Factor	>0.95	
Output Waveform	Pure Sine Wave	
CHARACTERISTIC DATA	GF-SUN-XXXXG2X	
MPPT Efficiency	99%	
European Efficiency	92%	
Over Current Protection	Yes	
Over Temperature Protection	Yes	
Reverse Polarity Protection	Yes	
Anit-Island Protection	Yes	
Stackable	Just for AC Output	
Operating Temperature Range	-20°C~ 50°C	
Storage Tmeperature Range	-40°C~ 65°C	
IP rating	IP40	

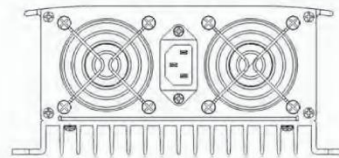
Model	GF-SUN-1000G2X	GF-SUN-2000G2
Net Weight	3.6Kg	6.0Kg
Gross Weight	4.8Kg	7.2Kg
Dimension(Package)	400mm×270mm×140mm	520mm×310mm×160mm

Outline Drawings

GF-SUN-1000G2(H)

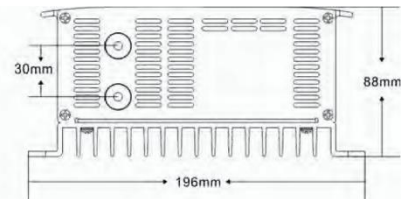
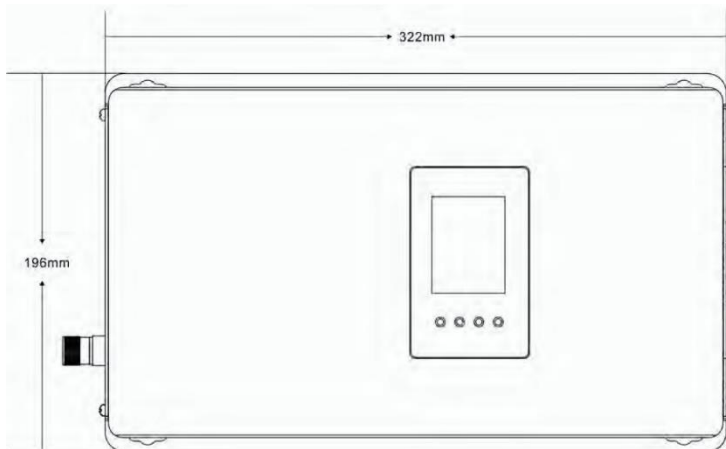


DC Input Panel

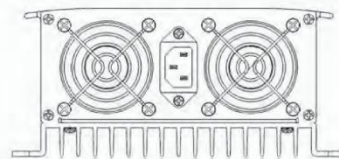


AC Output Panel

GF-SUN-2000G2



DC Input Panel



AC Output Panel

GWL Power Ltd.
Průmyslová 11, 102 19 Prague 10
Czech Republic, European Union