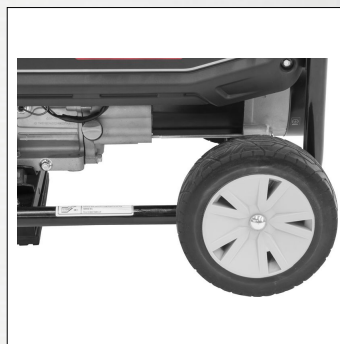




CE



Produktseite

GENERATOR GSE 3701 RS

Art.-Nr.: 40728

- 4-clock synchronous generator
- AVR (Automatic Voltage Control for Stable Power)
- 2 x Schuko 230 V / 50 Hz
- oil deficiency protection
- transport handle
- landing gear
- recoil starter
- voltmeter
- overload protection

Technical information:

| | |
|-------------------------|-------------------------|
| Rated voltage: | 230 V |
| Frequency: | 50 Hz |
| IP protection: | 23 M |
| Engine Type: | 4-Takt OHV, luftgekühlt |
| Engine power: | 4 / 5,5 (kW / PS) |
| Engine oil: | 0,6 l |
| Engine oil grade: | 15W-40 / 10W-30 |
| Drive fuel consumption: | 1,25 l/h |
| Start system: | Reversierstarter |
| Rated speed: | 3000 1/min |
| Output voltage: | 2x 230 V |
| Rated current: | 11 A |
| Engine size: | 208 cm ³ |
| Rated capacity: | 2800 W |
| Continuous power: | 2500 W |
| Running time: | 12 h |
| Tank capacity: | 15 l |
| Fuel: | Benzin |
| Overload protection: | ja |
| Low oil available: | ja |
| Noise declared value: | 97 dB |
| Maße LxBxH: | 605 x 600 x 542 mm |
| Net. weight: | 45,3 kg |
| Gross weight: | 48,9 kg |
| Item number: | 40728 |



VE 6



L 680 x B 480 x H 490 mm

GTIN-Code

4015671853332