

Bill of materials

	x2		x10		x2
	x2		x7		x2
	x2		x7		x15
	x1		x16		x21
	x1		x11		x14
	x2		x2		x14
	x2		x1		x1
	x1		x1		x2
	x1		x1		x1
	x1				
	x1				

CAUTION: This set contains a string longer than 30cm (12 inches). Keep away from children under the age of 36 months. Danger of strangulation.

© Copyright Engino.net Ltd. All Rights Reserved.



Engino.net Ltd | P.O.Box 72100, 4200 Limassol, Cyprus, European Union
 Tel.: +357 25821960, Fax: +357 25821961
 Email: info@engino.com, Website: www.engino.com



WARNING:
 CHOKING HAZARD - Small parts.
 Not for children under 3 yrs.

DISCOVERING STEM
 Science • Technology • Engineering • Mathematics

SOLAR POWER
 converting sunlight to electricity



9 models printed instructions included

7 models online 3D instructions



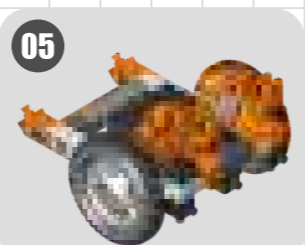
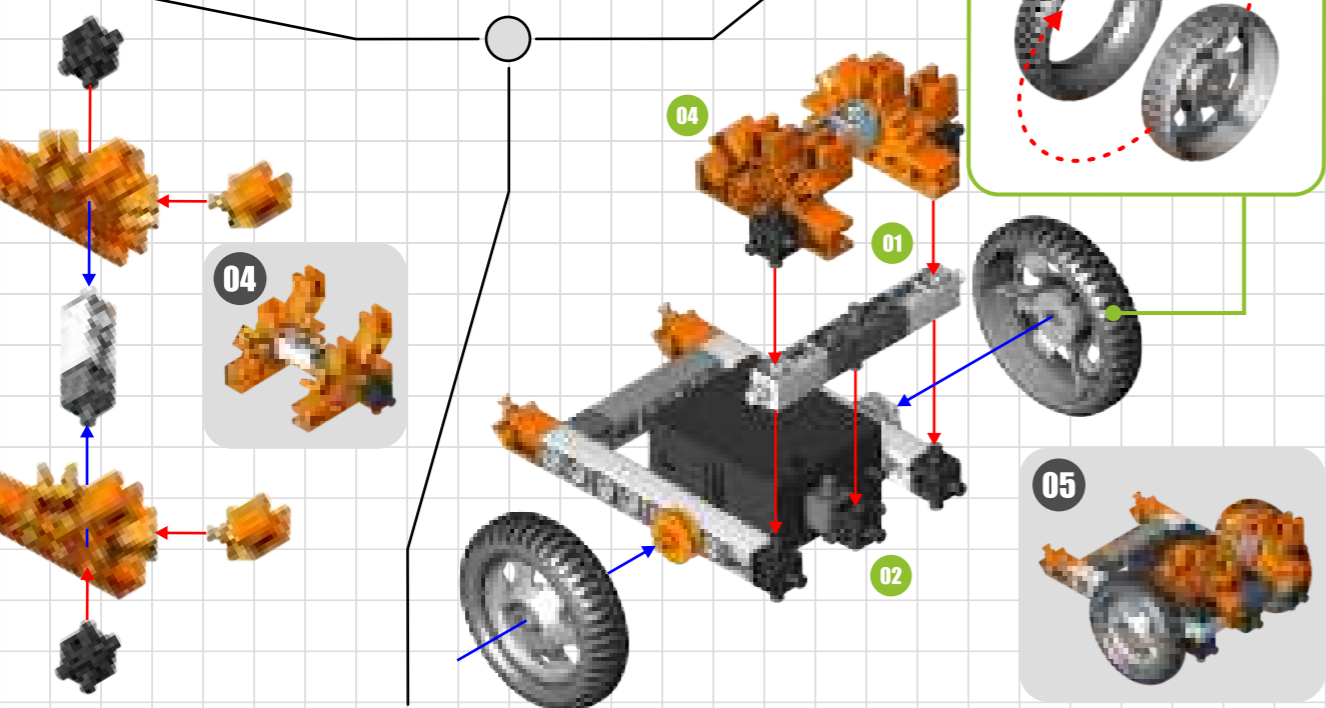
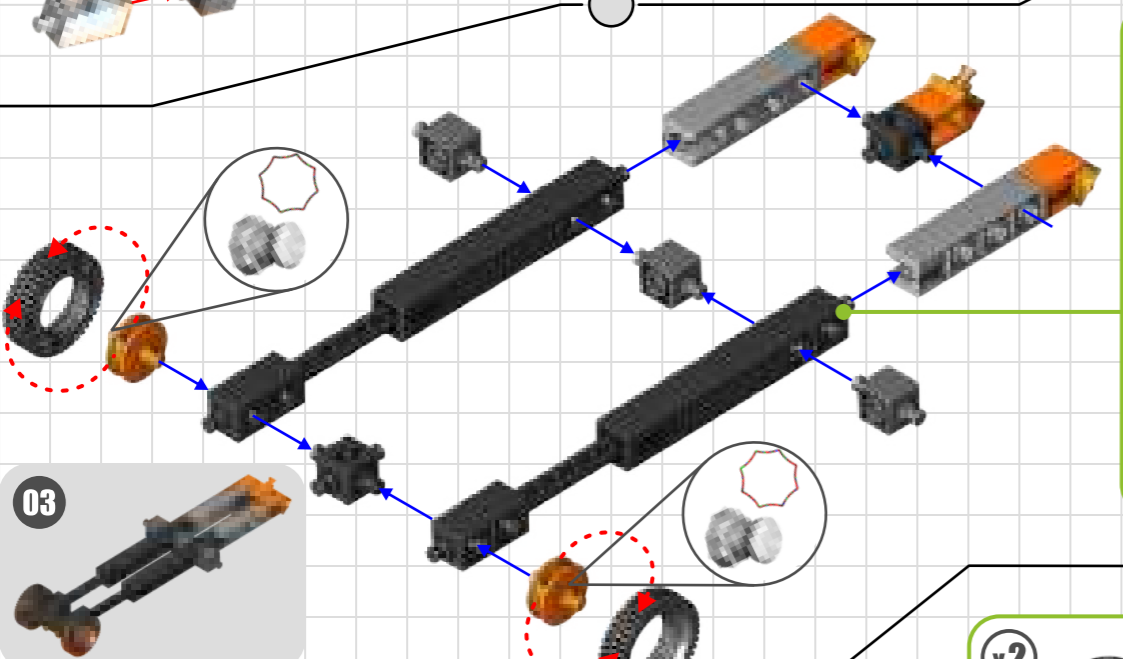
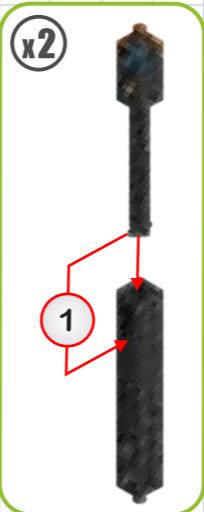
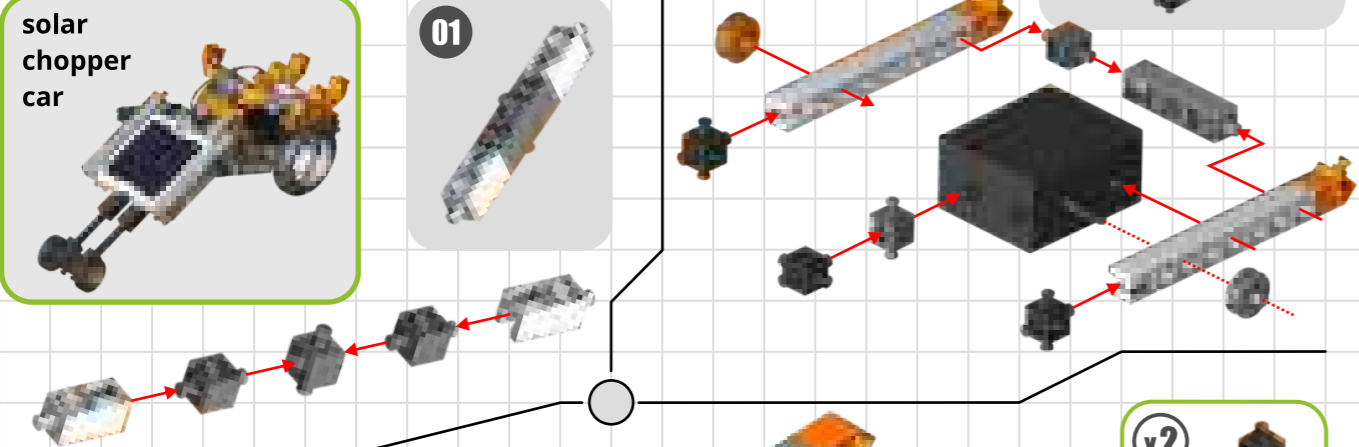
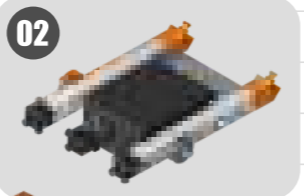
3D interactive instructions
 to download on your smart device

16 models to build

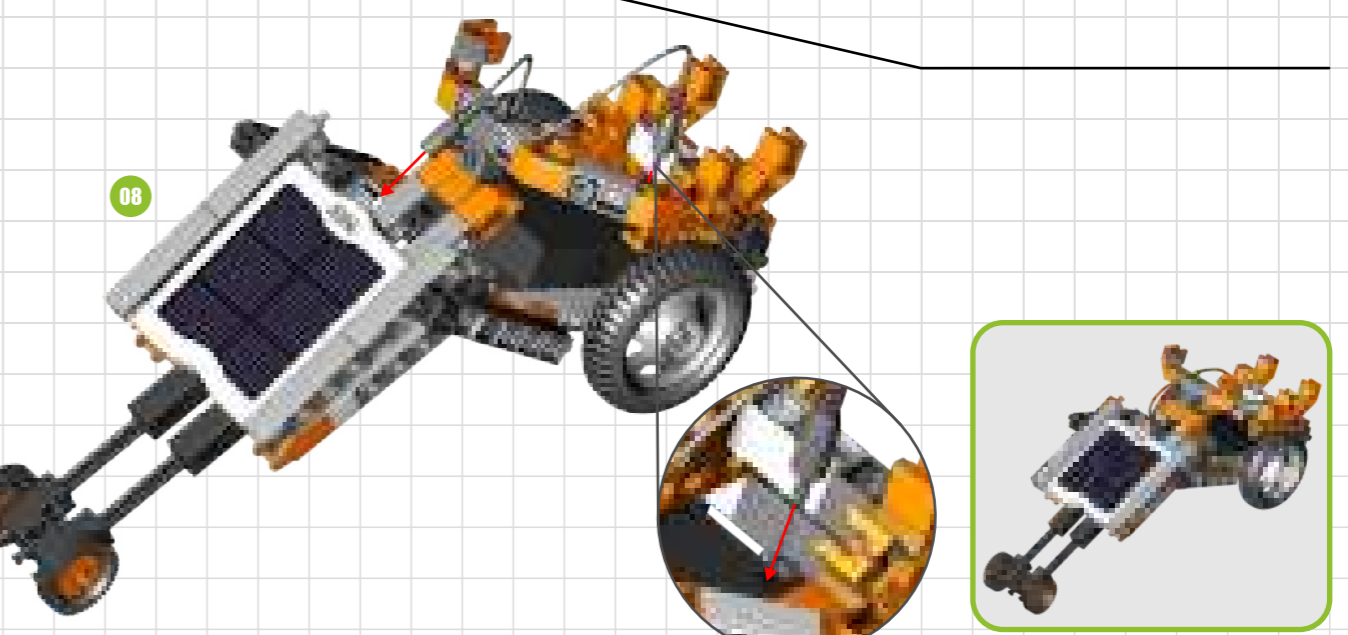
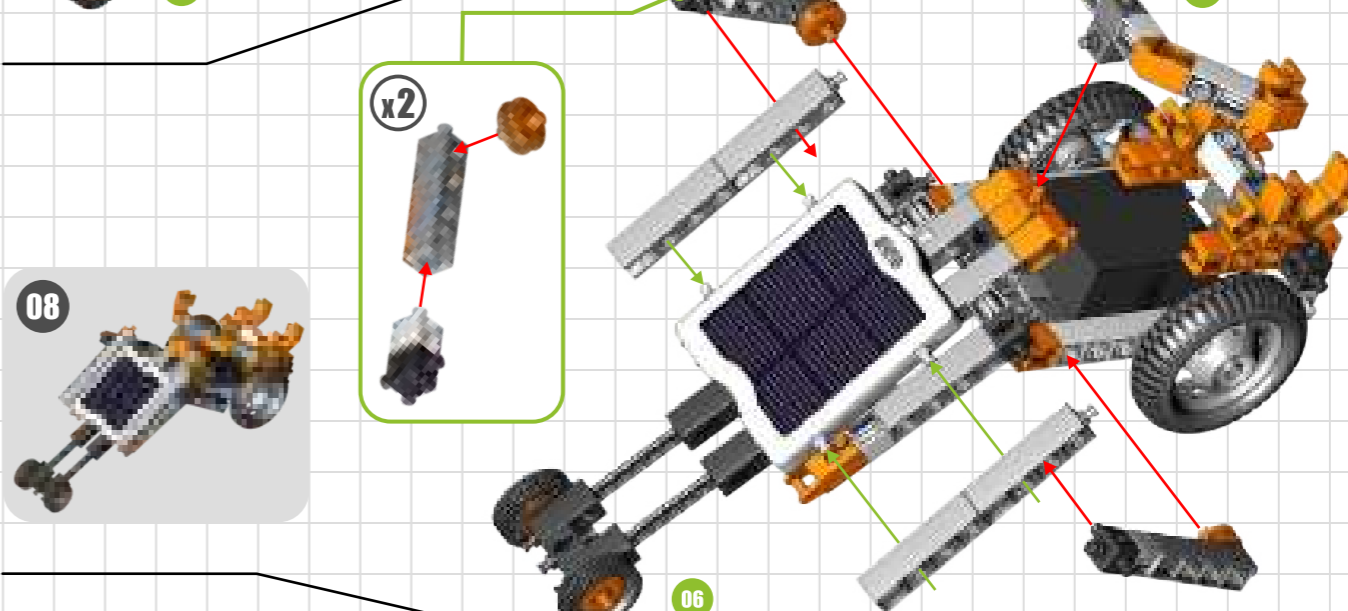
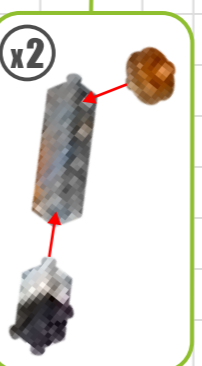
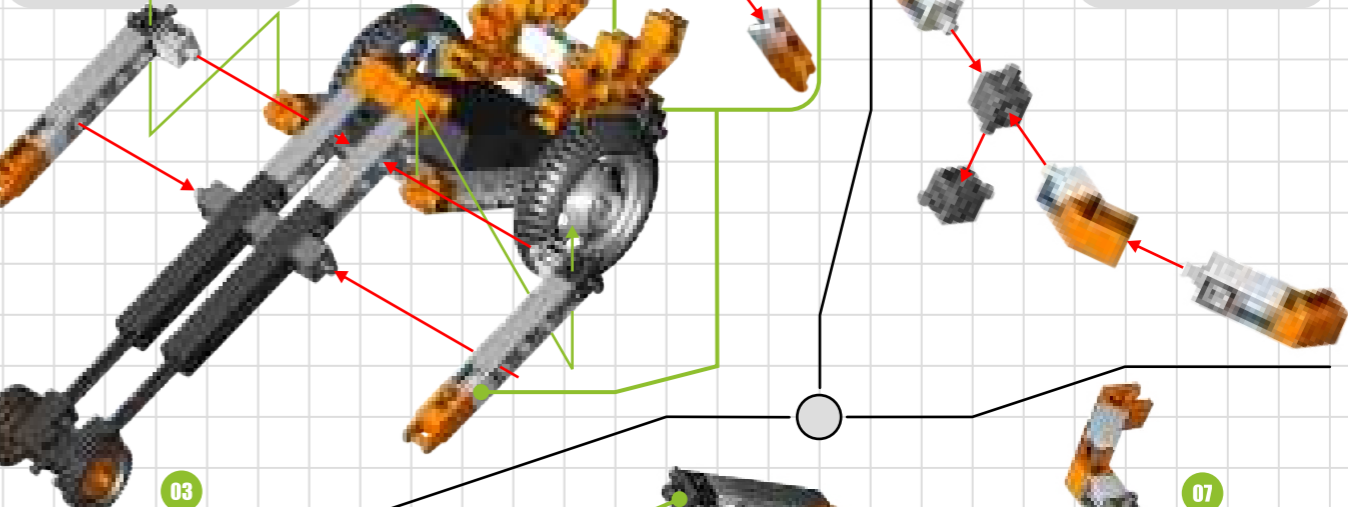
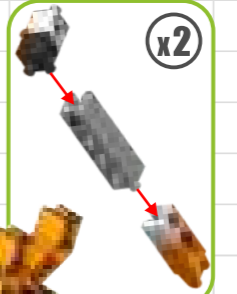
8-16+



Building Instructions



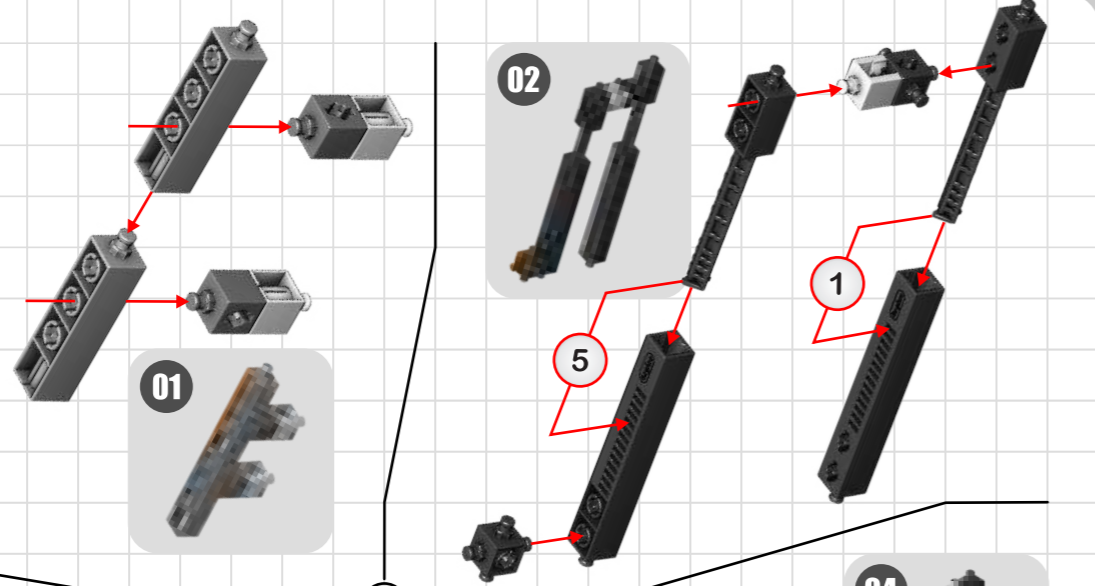
01



02

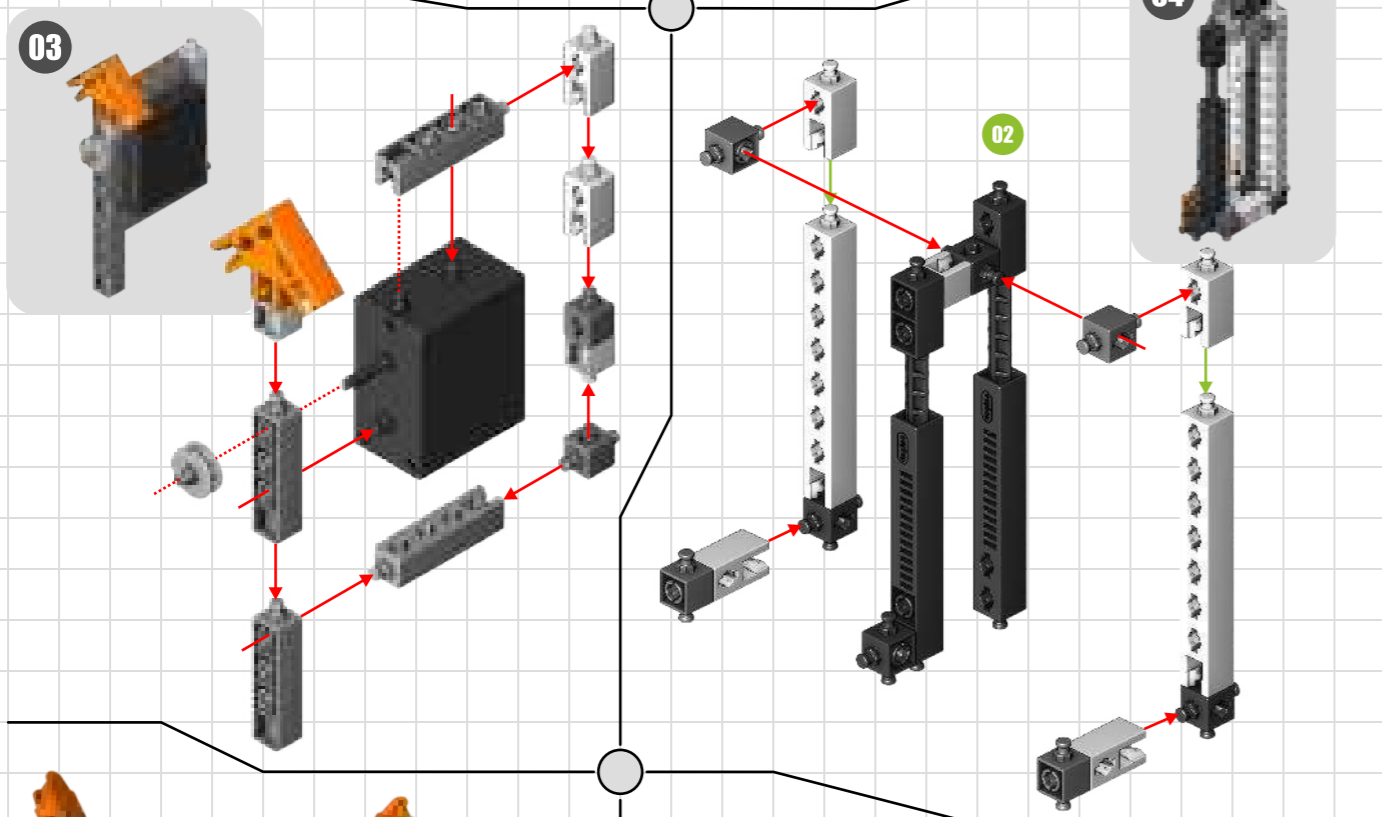


solar fan



01

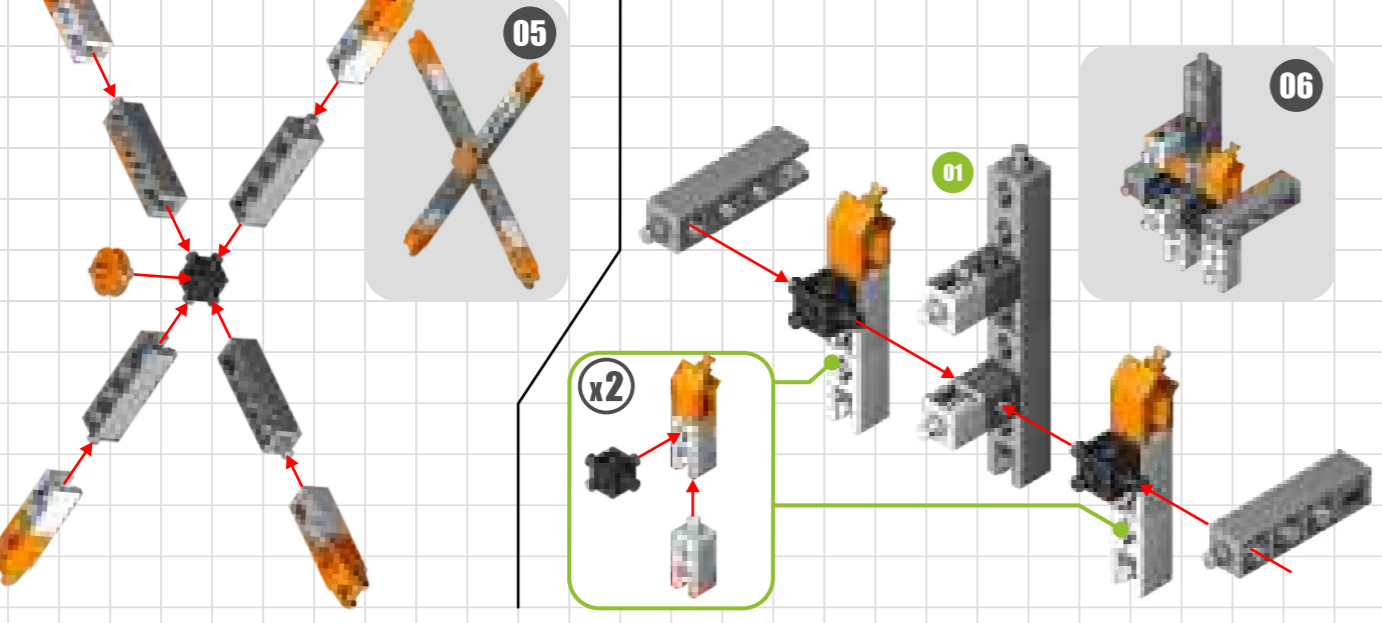
02



03

02

04



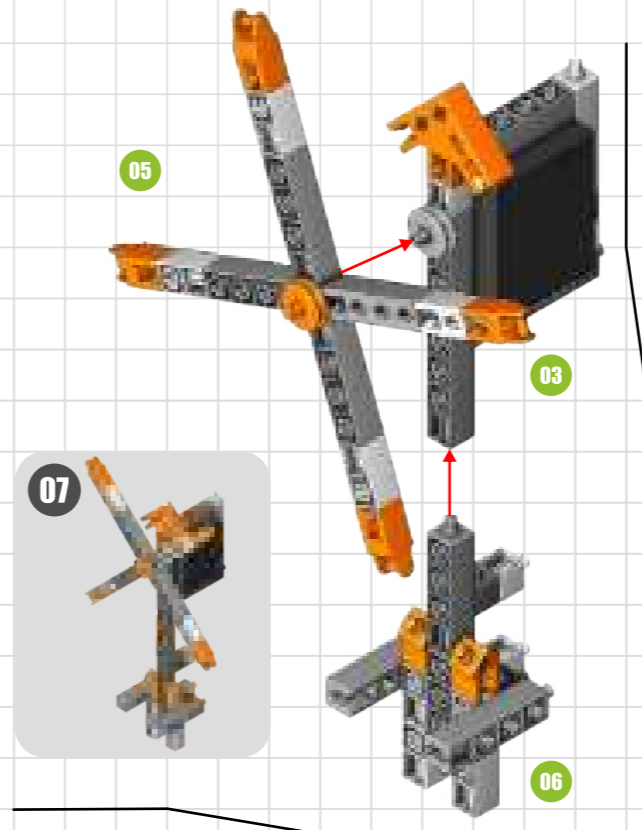
05

06

x2

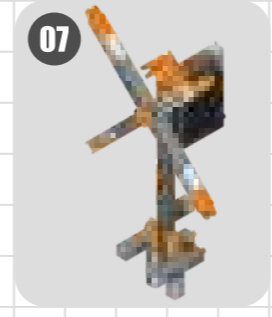
01

03



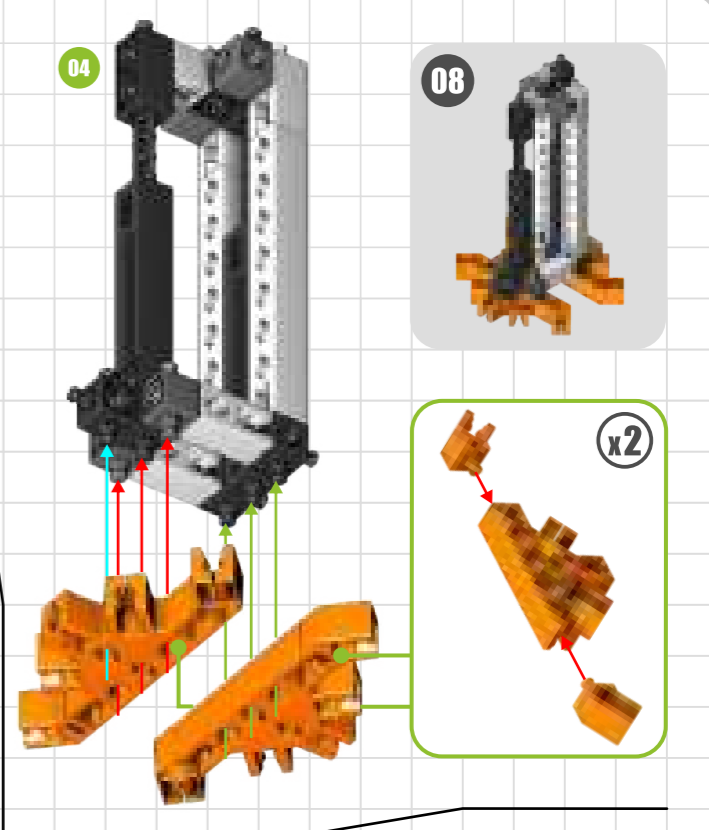
05

03



07

06

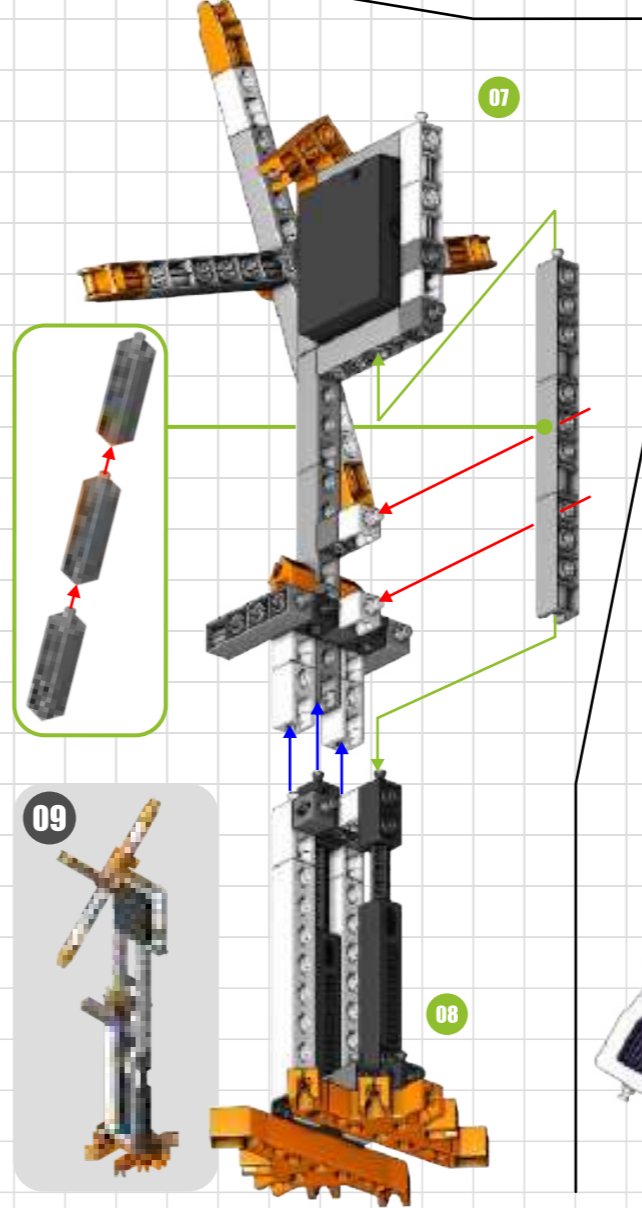


04

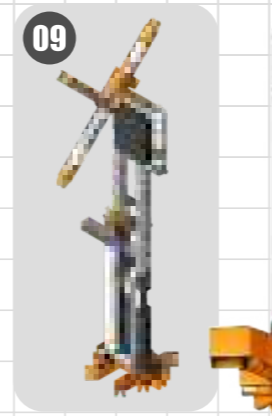
08



x2

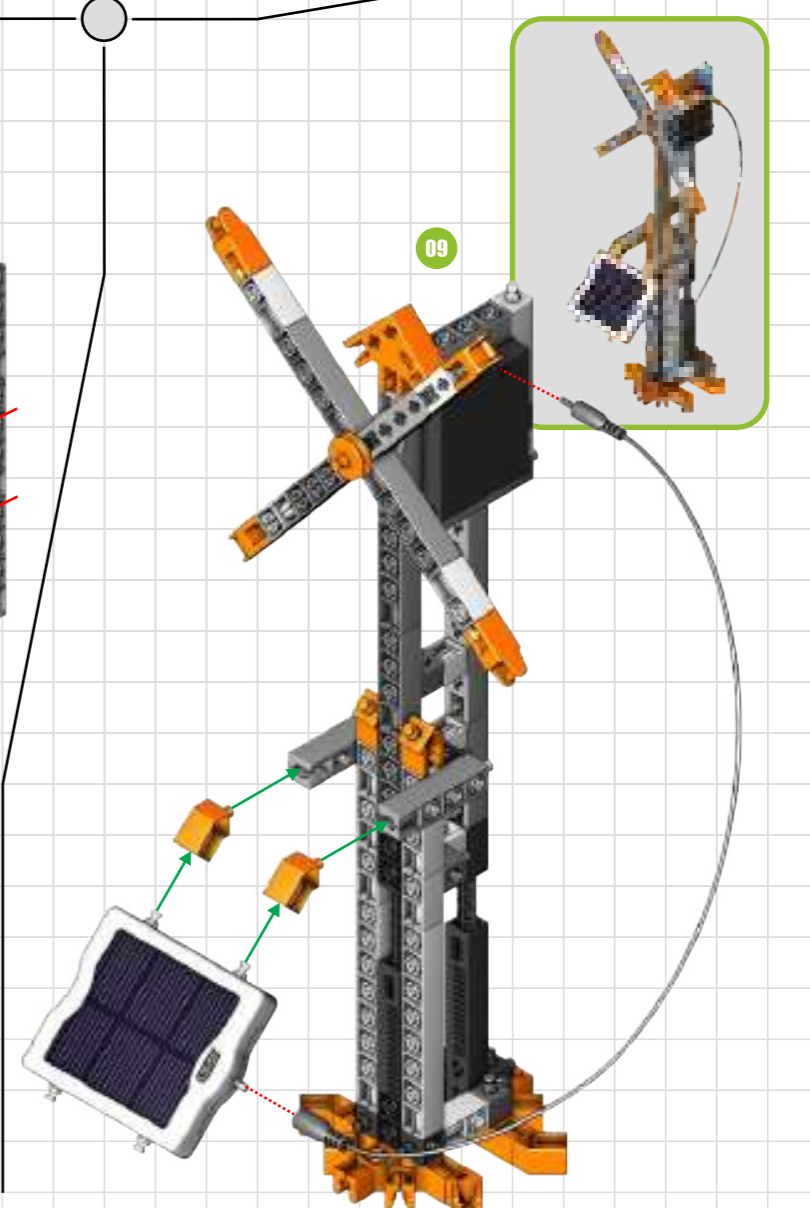


07

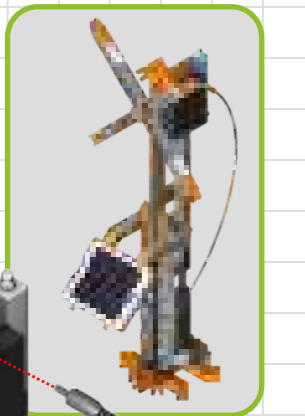


09

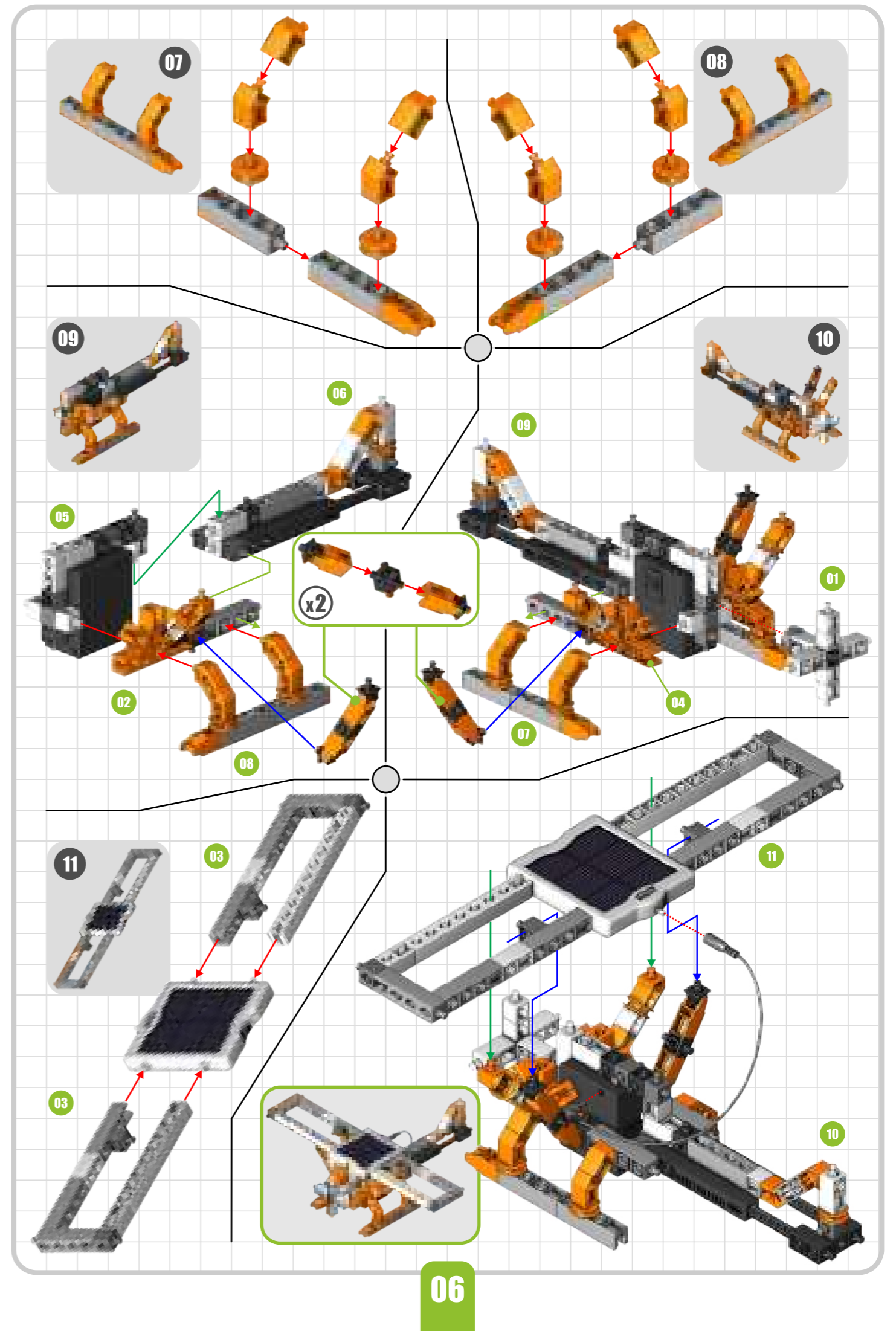
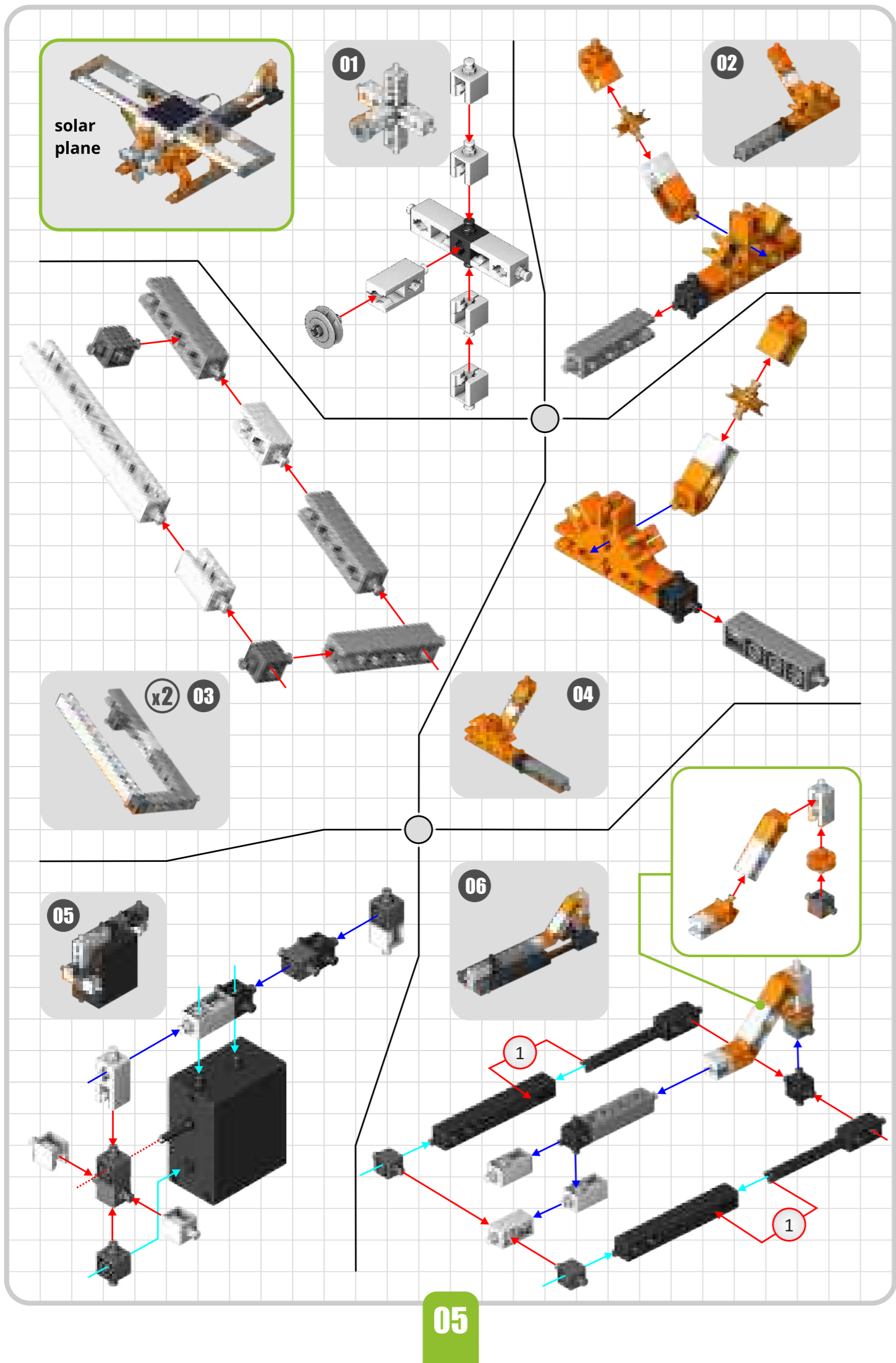
08



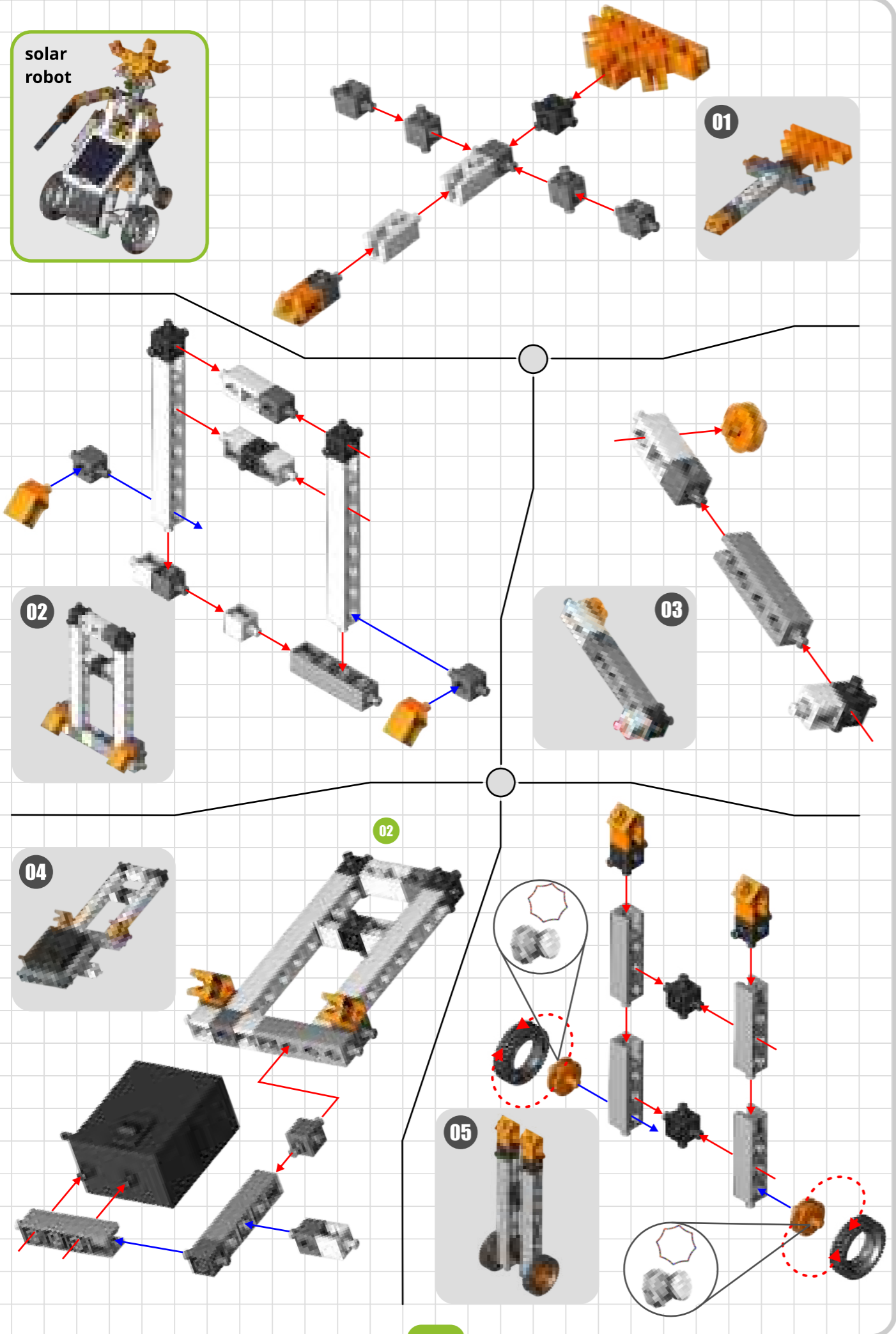
09



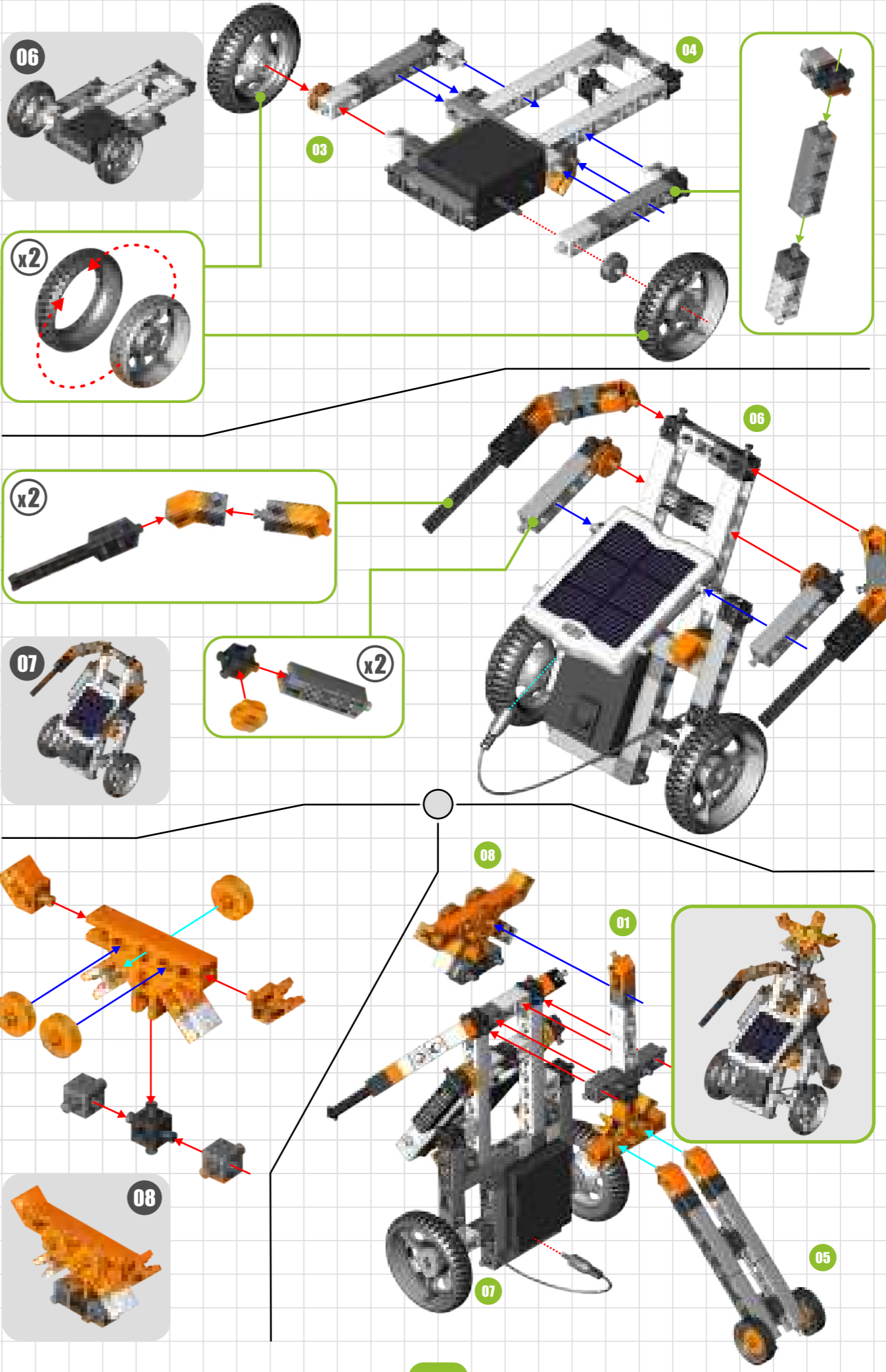
04



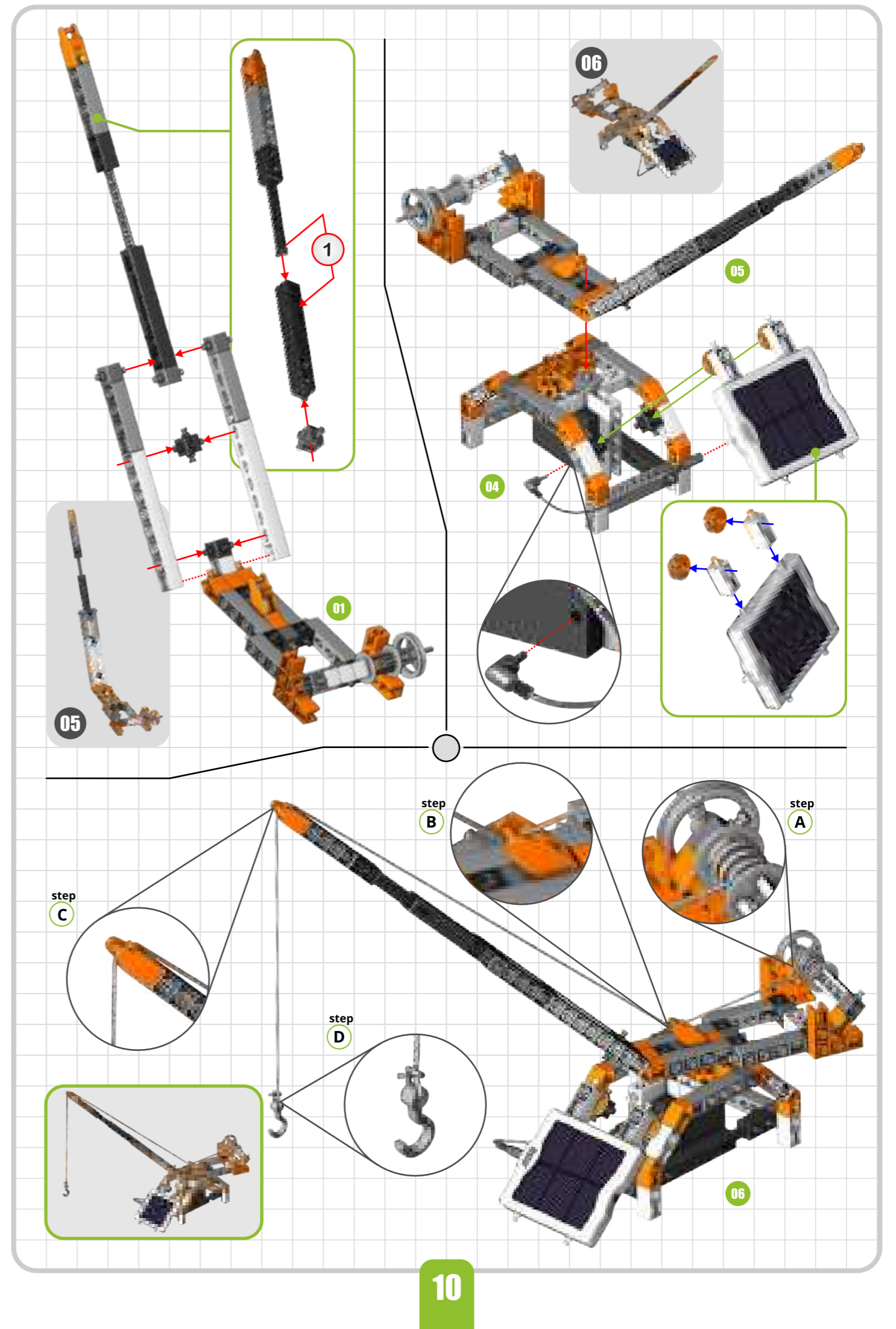
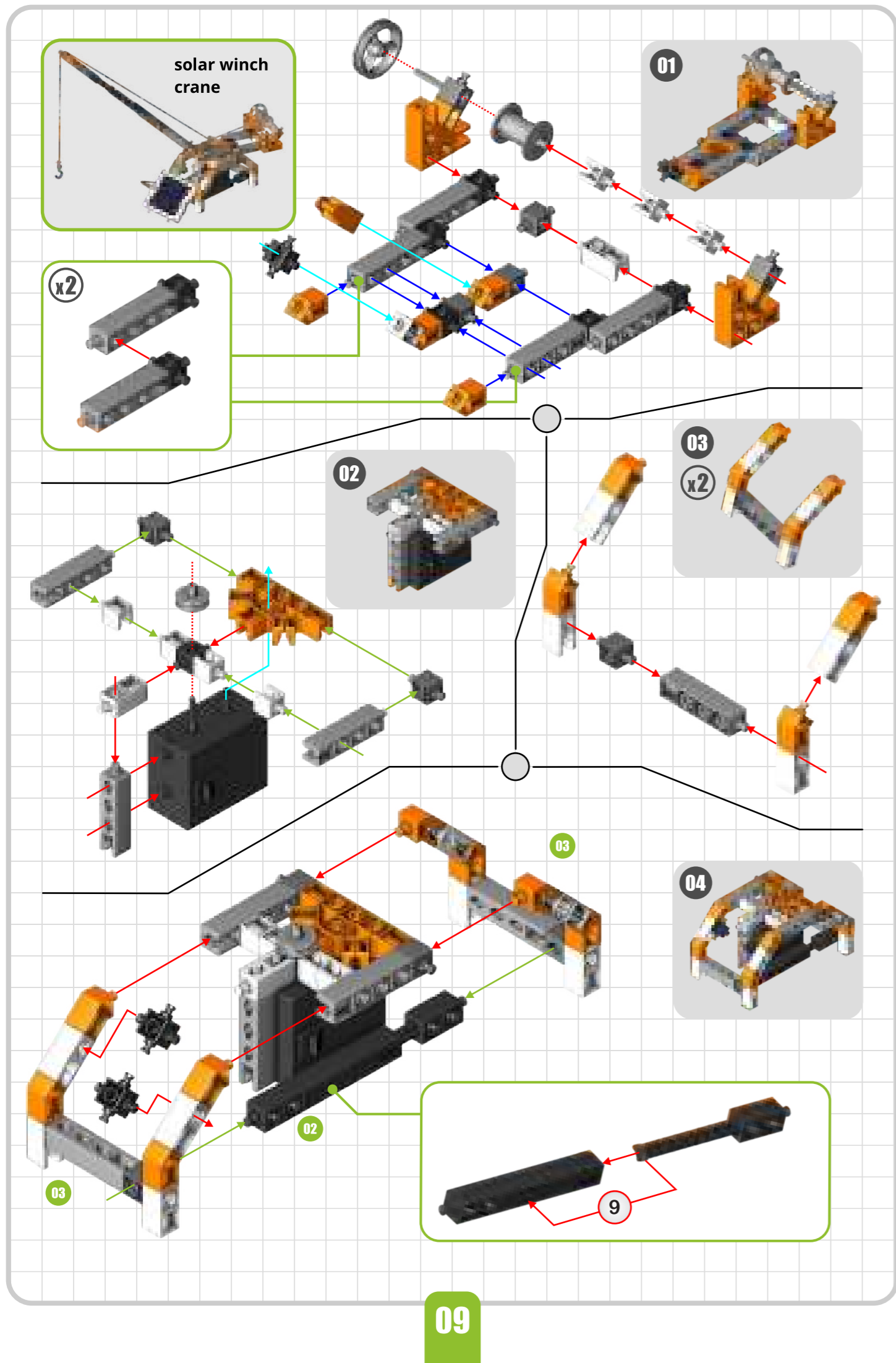
solar robot

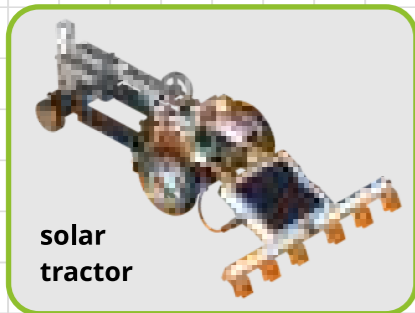


07

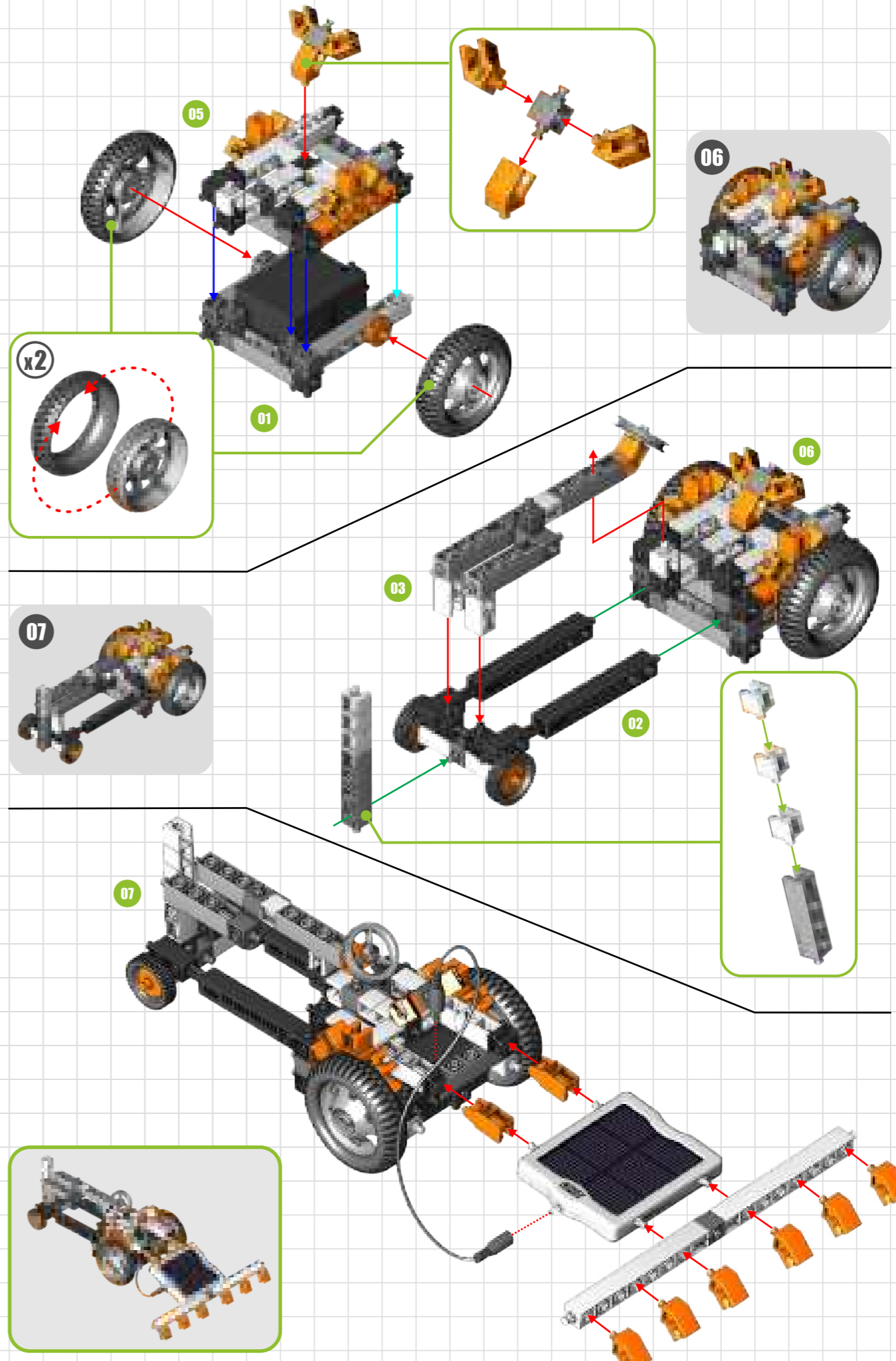
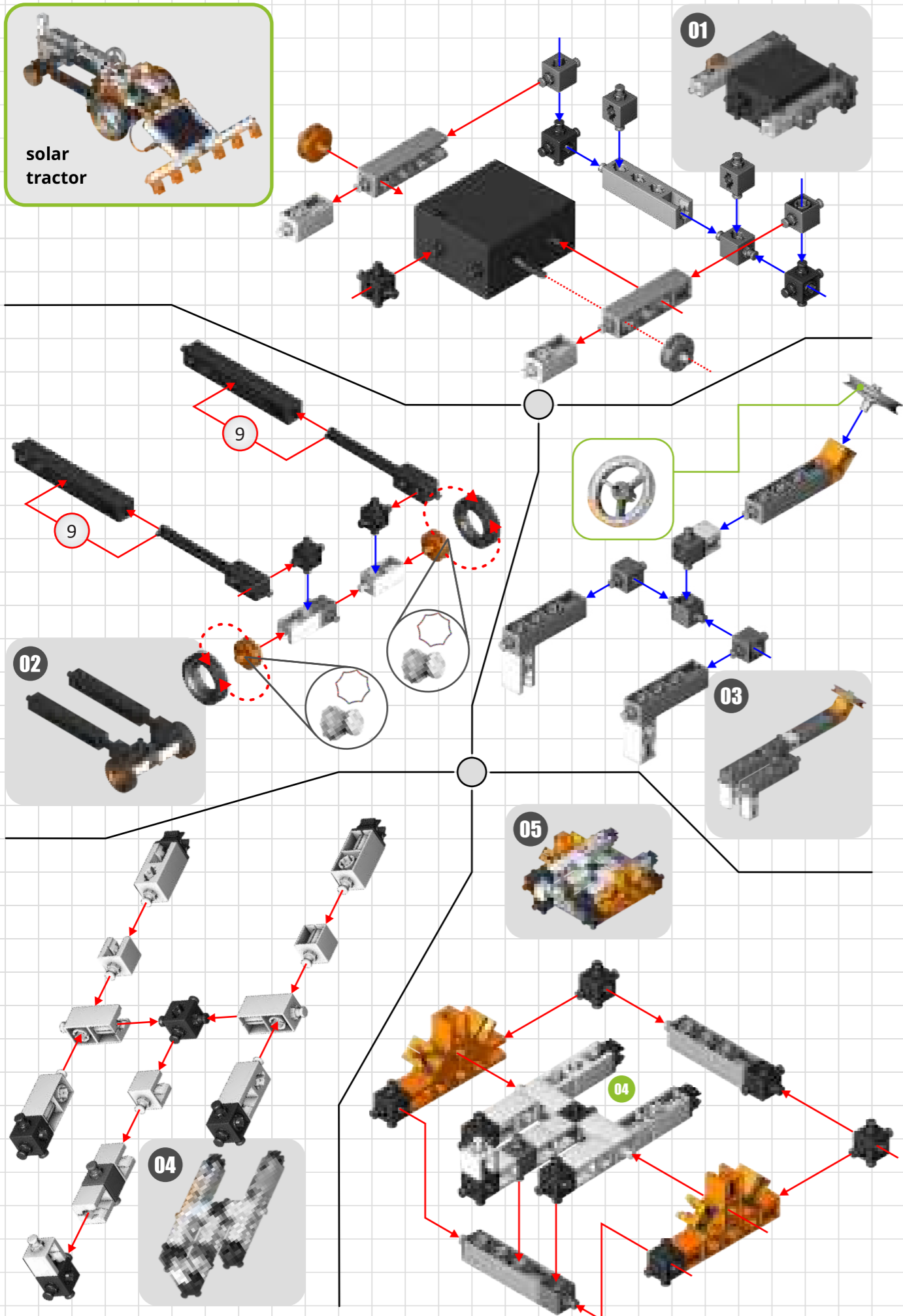


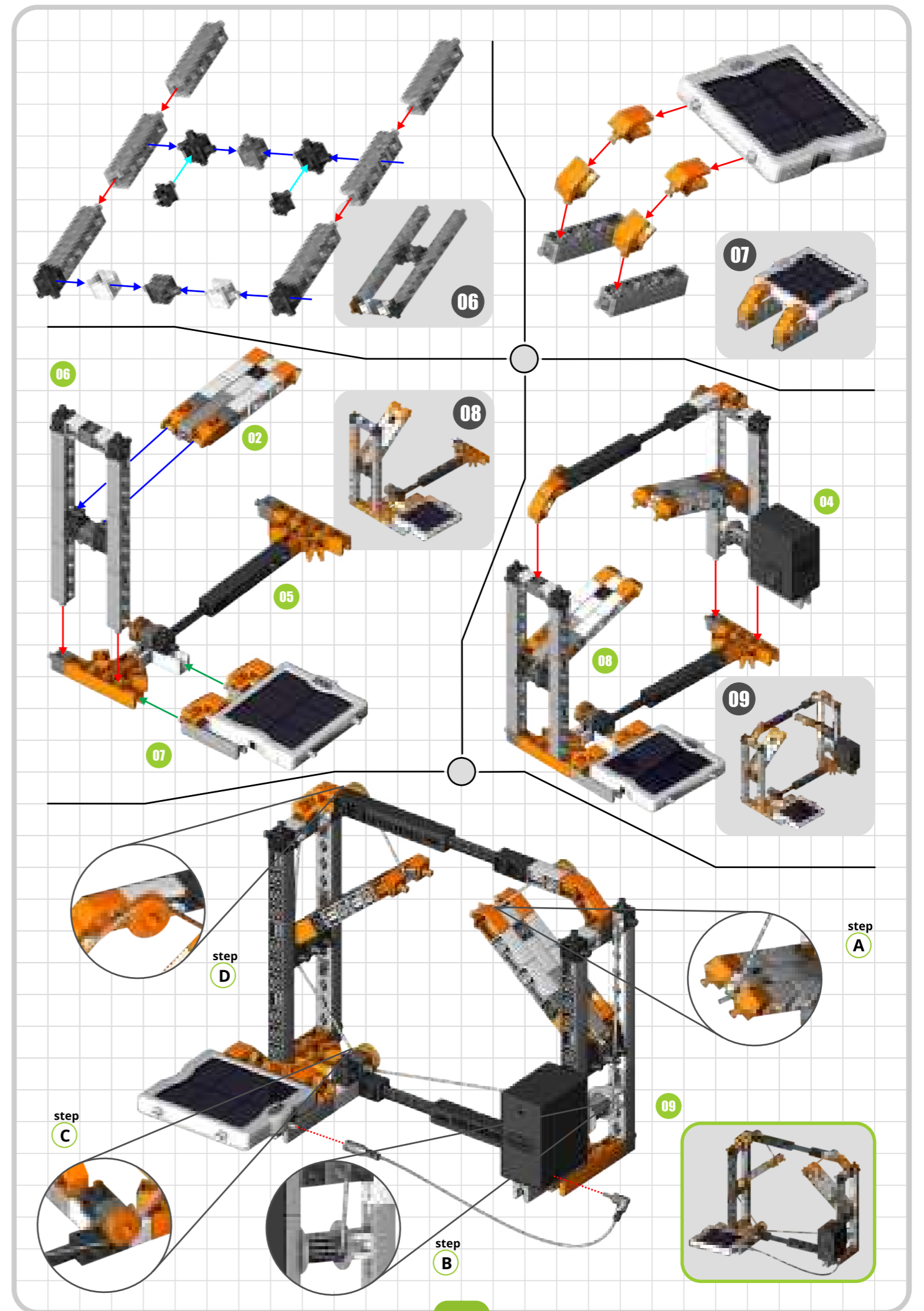
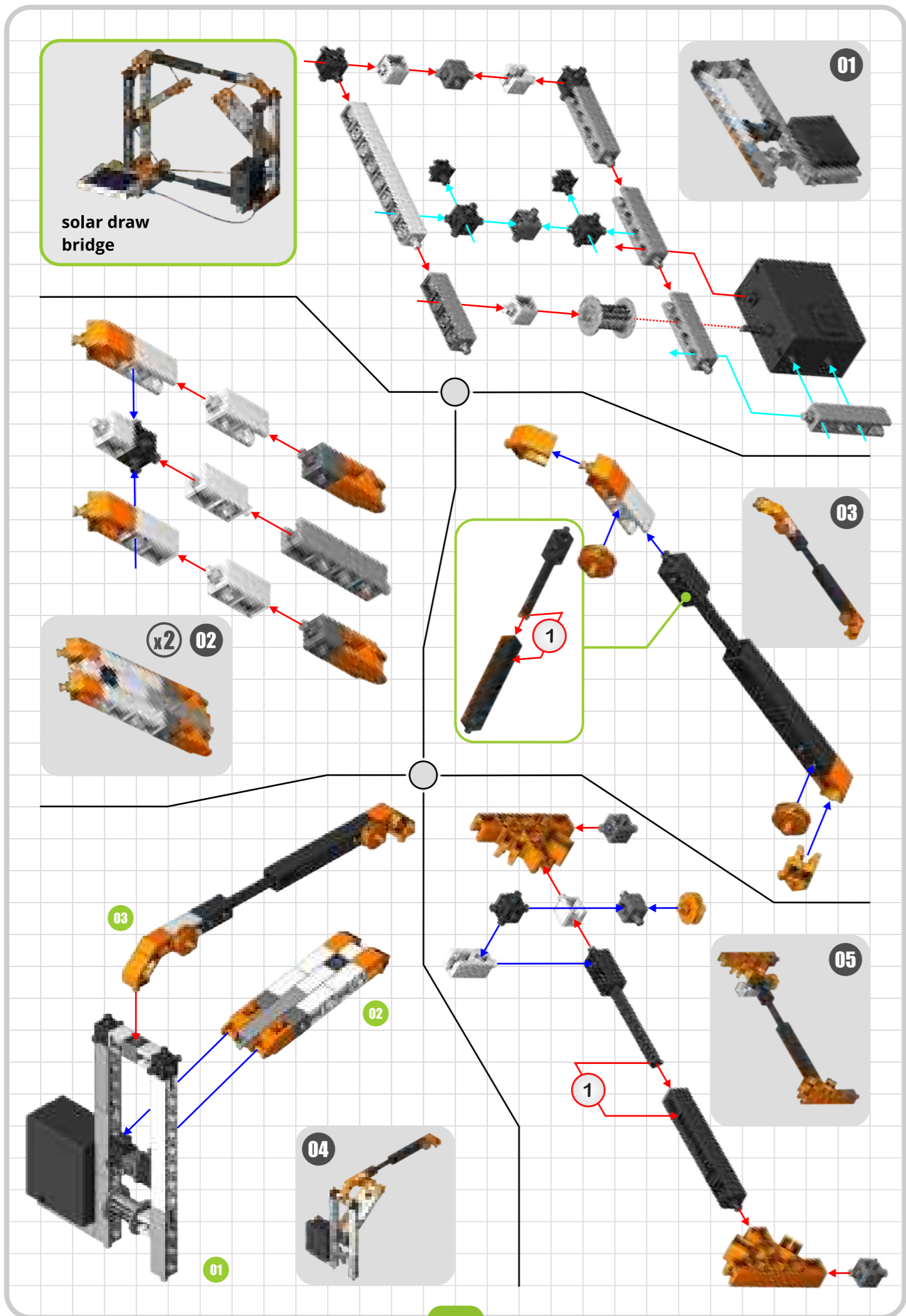
08





solar tractor







solar dog

